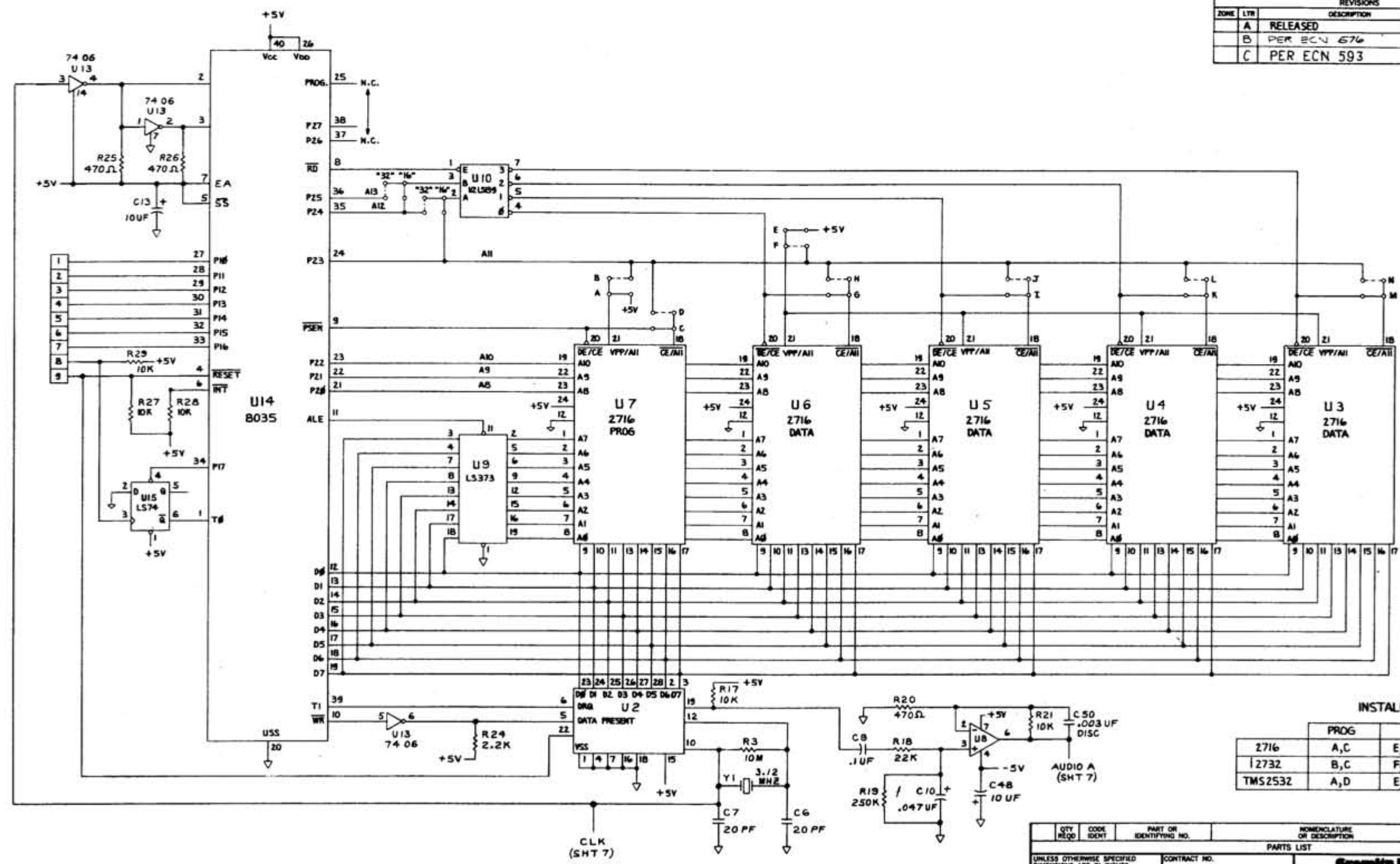


REVISIONS				
ZONE	LTR	DESCRIPTION	DATE	APPROVED
A		RELEASED	SD 12-11-80	
B		PER ECN 576	J.F. 2-7-81	
C		PER ECN 593	1/19 01-08-80	



INSTALL JUMPERS

	PROG	DATA
2716	A,C	E ₂ /G/I/K/M, "16"
12732	B,C	F ₂ /G/I/K/M, "32"
TMS2532	A,D	E ₂ /H/J/L/N, "32"

QTY	CODE	PART OR IDENTIFYING NO.	NOMENCLATURE OR DESCRIPTION
PARTS LIST			
UNLESS OTHERWISE SPECIFIED DIMENSIONS ARE IN INCHES TOLERANCES ARE: FRACTIONS DECIMALS ANGLES XX ± .XXX °			
MATERIAL		CONTRACT NO.	
FINISH		APPROVALS DATE	
NEXT ASSY USED ON		DRAWN SON DUONG 10-25-80	
APPLICATION		CHECKED [Signature] 10-28-80	
DO NOT SCALE DRAWING		G-80 Speech Synthesis Board	
SIZE	CODE IDENT NO.	DRAWING NO.	REV
D		800-0183	C
SCALE NONE		SHEET 5 OF 6	

800-0183